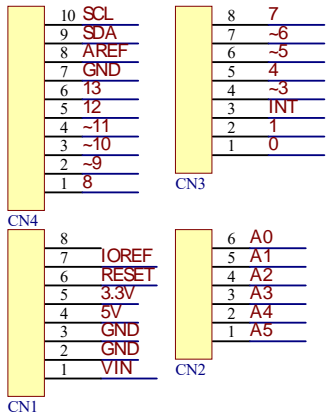
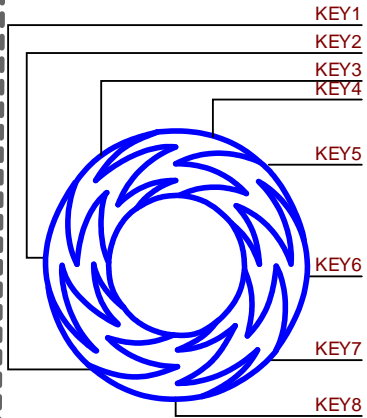


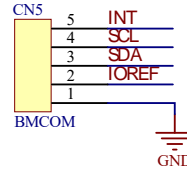
BMduino-Shield



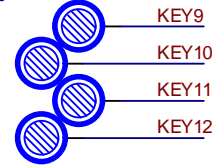
Touch Scroll Wheel



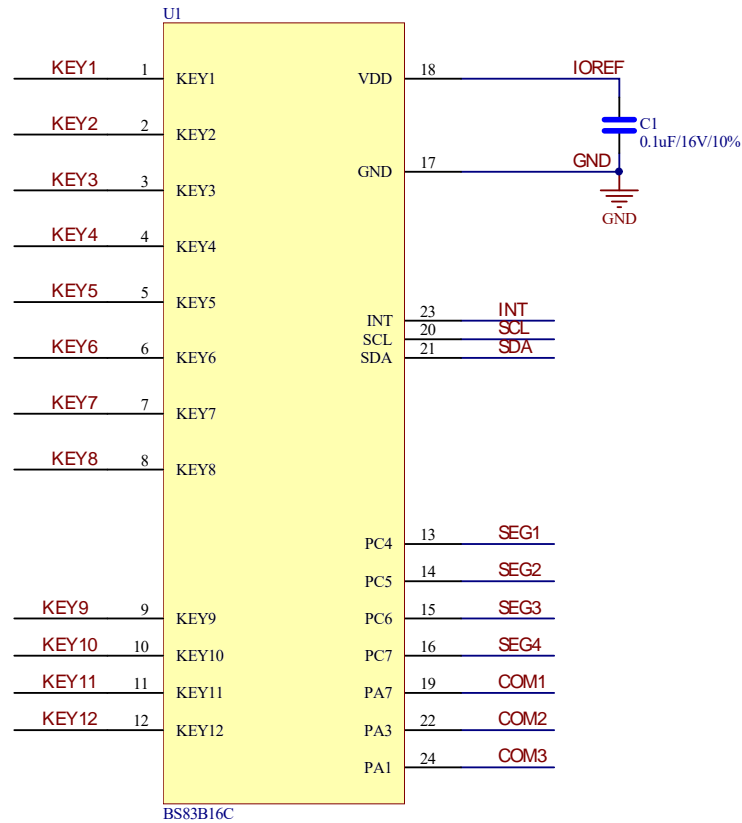
BMCOM



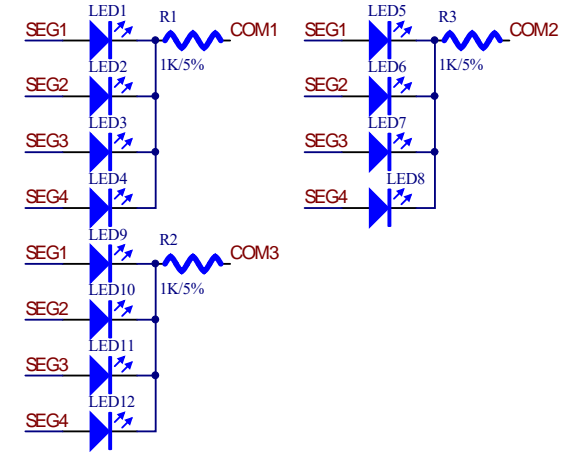
Touch Keys



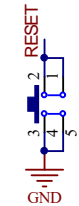
MCU



LED Indicator



Reset Circuit



Title:	BMK56T004A
Design by:	BEST MOUDLES CORP.
Data:	2025/6/16
Rev:	V1.0

