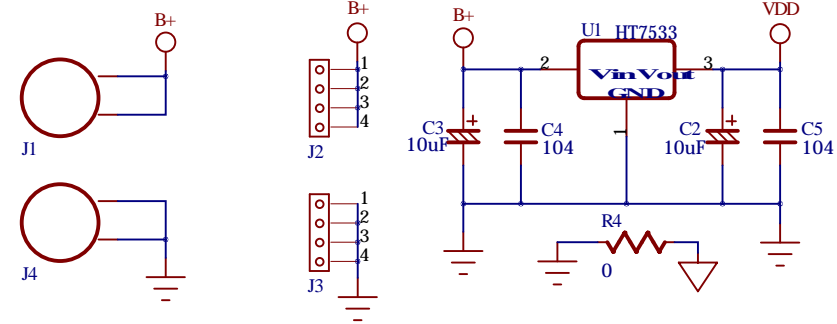
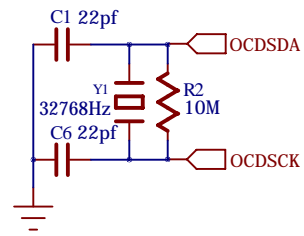


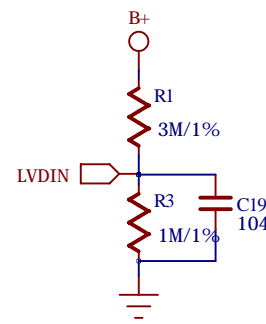
Power



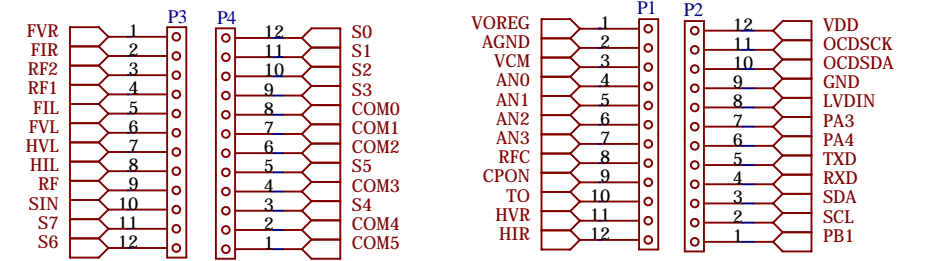
LXT



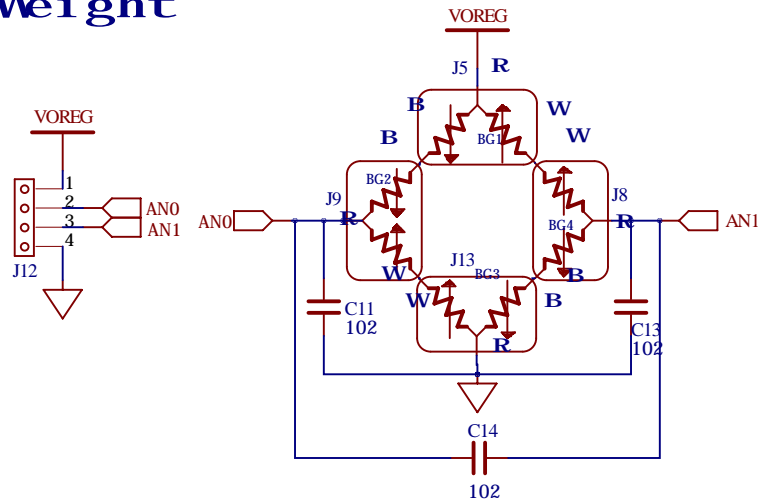
Low voltage



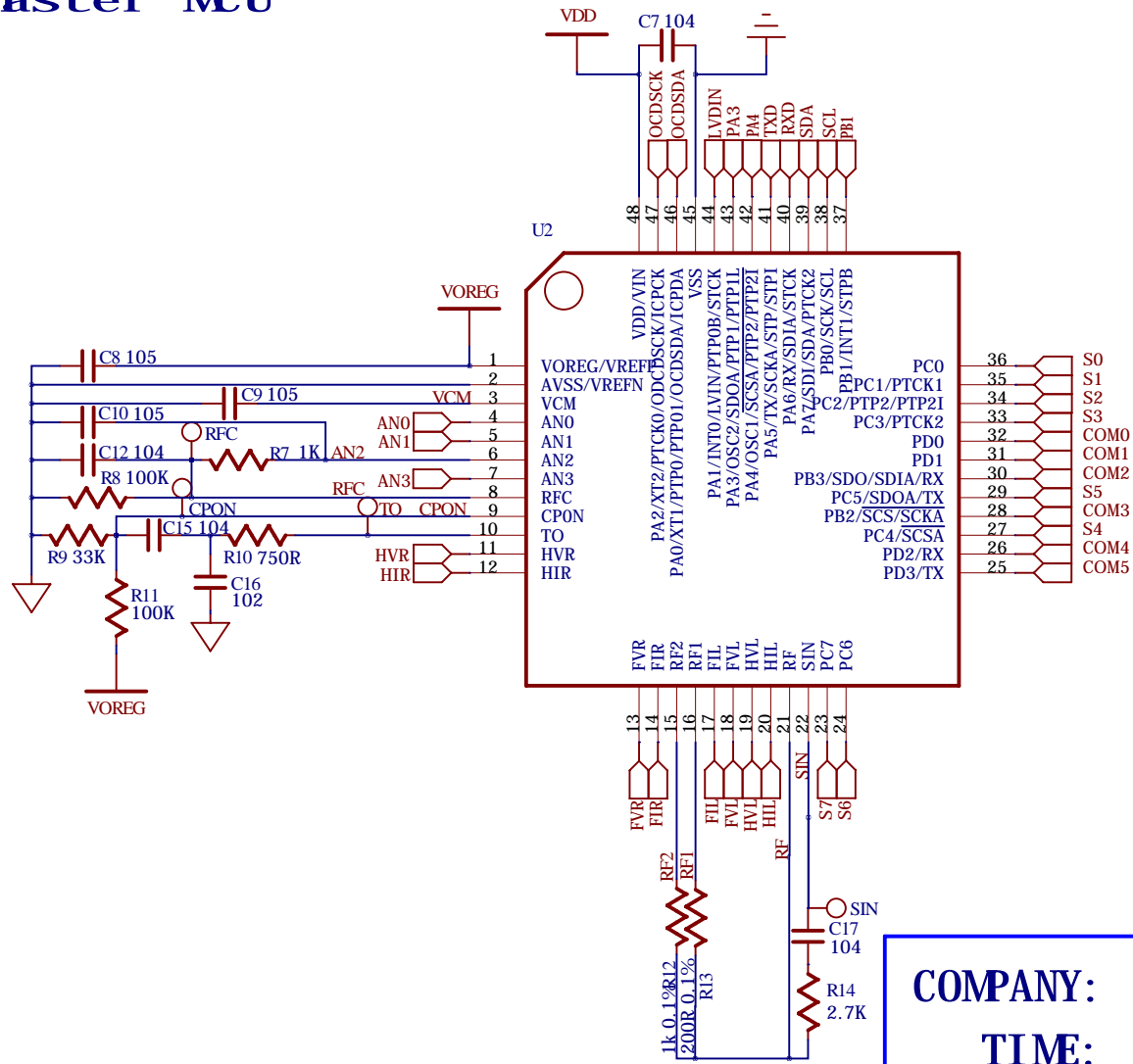
Pin header



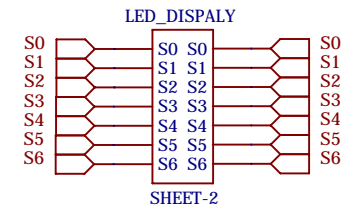
Weight



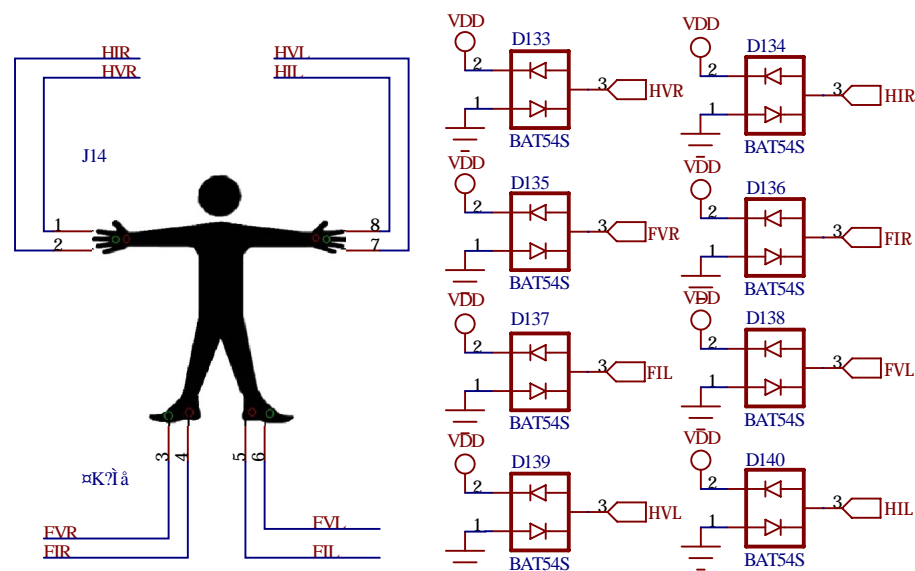
Master MCU



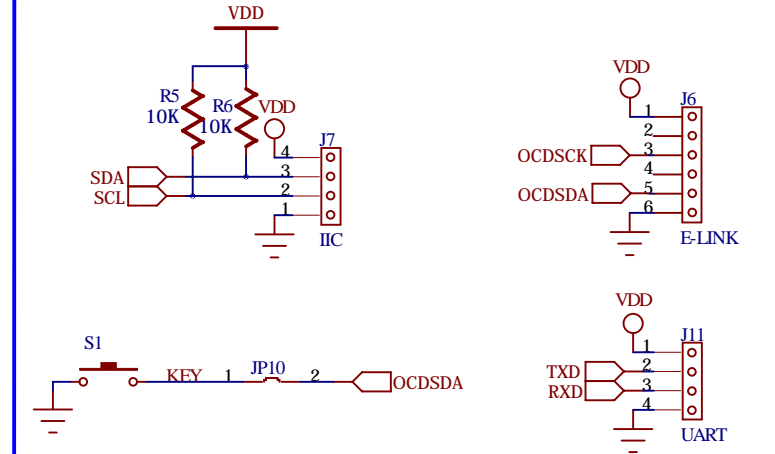
LED_Display



BodyFat



Interface



COMPANY: BESTHEALTH
TIME: 20200428

TITLE: BH66F26X0_EVM_V4.2

1

2

3

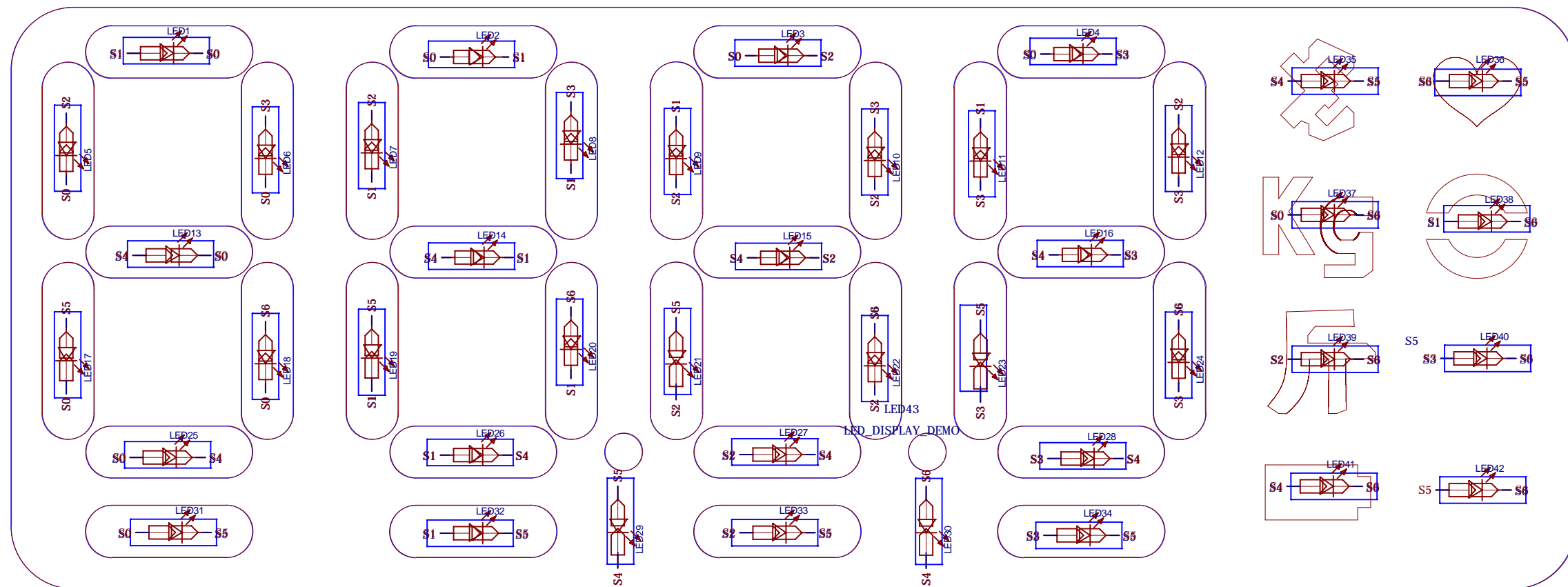
4

5

6

A

A



A

A

B

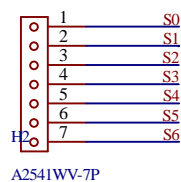
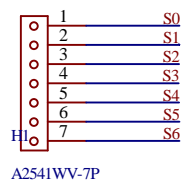
B

B

B

C

C



D

D

COMPANY: **BESTHEALTH**
 TIME: **20200428**

TITLE:
LED_Display

1

2

3

4

5

6

1

2

3

4

5

6