

# Bill of Materials

Bill of Materials For Schematic Document [BCE-GENTrx32-002]

Source Data From: c.SchDoc

Project: Free Documents

Variant: None

F/W的料號

Checksum :

Creation Date: 2020/5/12 上午 10:30:13

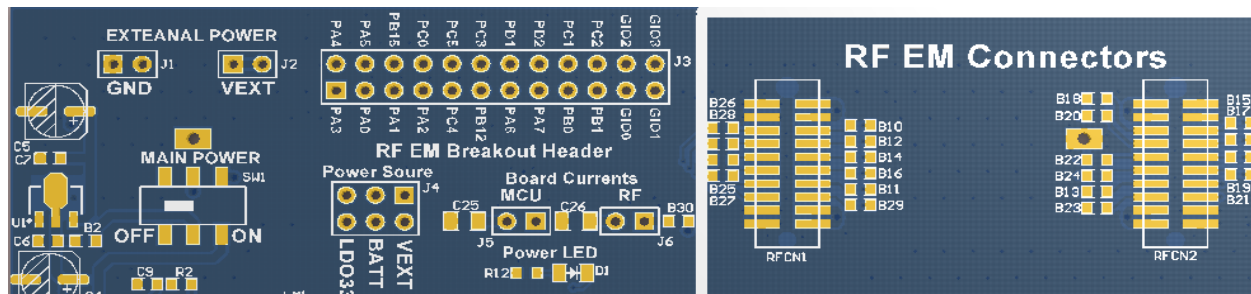
Print Date: 2020/11/20 44155.6885

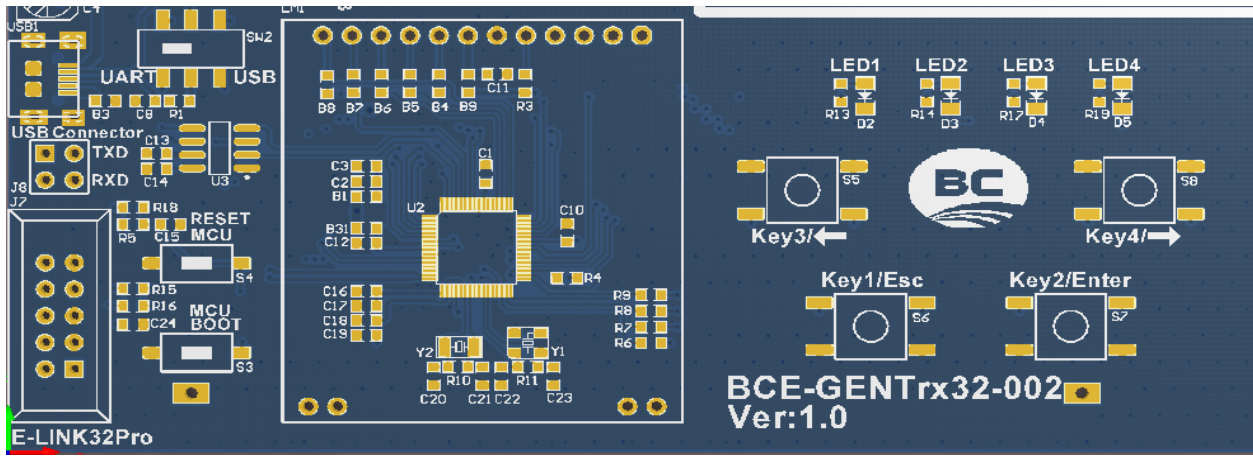
Footprint	Comment	LibRef	Designator	建議廠商	Description	Quantity
PCB (110 *70mm2)	藍色四層				FR4, Er=4.3, 厚度=1mm,四層板,噴錫1 oz	1
CR0603	Bead	Bead	B1, B2, B3, B4, B5, B6, B7, B8, B9, B10, B11, B12, B13, B14, B15, B16, B17, B18, B19, B20, B21, B22, B23, B24, B25, B26, B27, B28, B29, B30, B31		BLM18AG121SN1	31
0603C	2.2uF	Cap	C1, C2, C10, C11, C12, C17, C19	SAMSUNG	X5R 16V +/-10%	7
0603C	100nF	Cap	C3, C6, C7, C13, C15, C16, C18	SAMSUNG	X7R 16V +/-10%	7
貼片 鋁電解電容	22uF	Cap	C4		5*5.5mm電解電容 22uF/16V	1
貼片 鋁電解電容	47uF	Cap	C5		5*5.5mm電解電容 47uF/10V	1
0603C	10pF	Cap	C8,C9	SAMSUNG	NPO 50V +/-0.25PF	2
0603C	1uF	Cap	C14	SAMSUNG	X7R 16V +/-10%	1
0603C	15pF	Cap	C20, C21	SAMSUNG	NPO 50V +/-5%	2
0603C	18pF	Cap	C22, C23	SAMSUNG	NPO 50V +/-5%	2
0603C	10uF	Cap	C24	SAMSUNG	X5R 10V +/-10%	1
0805C	10uF	Cap	C25, C26	SAMSUNG	X5R 10V +/-10%	2
貼片 LED	LED	LED	D1		貼片0805 LED · 發紅光	1
貼片 LED	LED	LED	D2,D3,D4,D5		貼片0805 LED · 發綠光	4
2.54mm 單排排針	Header 2*1	Connect	J1,J2,J5,J6		排針2.54mm間距 · 2pin	4
2.54mm 雙排排針	Header 12*2	Connect	J3		排針2.54mm間距 · 12*2pin	1
2.54mm 雙排排針	Header 3*2	Connect	J4		排針2.54mm間距 · 3*2pin	1
2.54mm 簡易牛角插座	JTAG-SWDP	Connect	J7		簡易牛角2.54mm,2*5pin的JTAG插座	1
2.54mm 雙排排針	Header 2*2	Connect	J8		排針2.54mm間距 · 2*2pin	1
2.54mm 單排排針母座	LM	LM	LM1		單排排針母座2.54mm間距,高度3.5mm,12pin	1
2.54mm 單排排針母座	LM	LM	LM1*2		單排排針母座2.54mm間距,高度3.5mm,2pin	2
2.54mm間距Jumper	Jumper	Jumper	J4,J5,J6		跳帽 2pin	3
Micro USB插座	MICRO_MK5P		P1		micro usb 5pin 5針 四腳插板插座	1

0603R	22R	R	R1,R2, R15, R16	國巨	+/-5%	4
0603R	470R	R	R3, R12, R13, R14, R17, R19	國巨	+/-5%	6
0603R	10K	R	R4	國巨	+/-5%	1
0603R	100K	R	R5	國巨	+/-5%	1
0603R	100R	R	R6, R7, R8, R9, R18	國巨	+/-5%	5
0603R	10M	R	R10	國巨	+/-5%	1
0603R	1M	R	R11	國巨	+/-5%	1
電池座	5號單節電池座	Battery	BT1,BT2			2
Board to Board Connect	BB02-BY	Connect	RFCN1,RFCN2		板对板连接器 1.27mm 排母 DC3-20P 2X10P 贴片	2
贴片 按键3*6*2.5	STS-04-D	PUSH SWITCH	S3,S4		兩腳贴片 按键3*6*2.5mm	2
贴片 按键6*6*3.4	STS-010	PUSH SWITCH	S5,S6,S7,S8		四腳贴片 按键6*6*3.4mm	4
贴片 拨动开关	SS-D35S	SLIDE SWITCH	SW1,SW2		SMD DPDT SLIDE SWITCH	2
3SOT89	HT7533-7	IC	U1	HOLTEK	3STO89	1
LQFP64	HT32F52352	IC	U2	HOLTEK	LQFP64	1
8NSOP	HT42B534	IC	U3	HOLTEK	USB to UART Bridge IC	1
XTAL-SMD3225	8MHZ	CRYSTAL	Y1		8MHZ贴片 晶体 3.2*2.5 4脚/20ppm	1
XTAL-SMD3215	32.768KHZ	CRYSTAL	Y2		FC-135 3.2x1.5mm 2脚/20ppm	1
						114
<b>Approved</b>		<b>Notes</b>				

成品參考圖 (PCB標準品必須為藍色)

正面照





背面照

